

History of the Telescope



Using the naked eye...

- We saw the stars in the sky about 600,000 years ago.
- The first lunar calendar was prehistory (8,000 B.C.).
- Mayans, Babylonians and Egyptians civilizations tracked heavenly bodies to calculate solar years and keep track of crops and religious events.

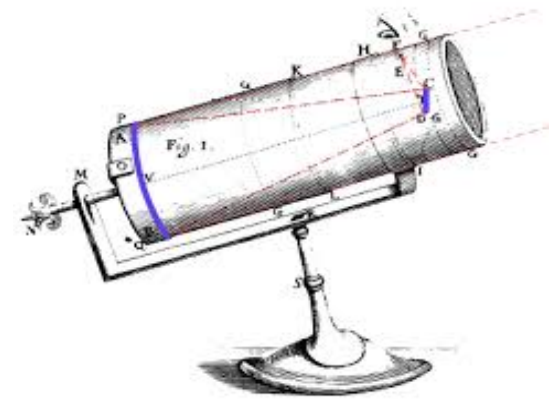
400 years ago...

- An Italian scientist Galileo combined lenses to create the first refracting telescope.
- Magnification of 20X
- Hans Lippershey (1608) applied for a patent for putting together two lenses to magnify distant objects



80 years later...

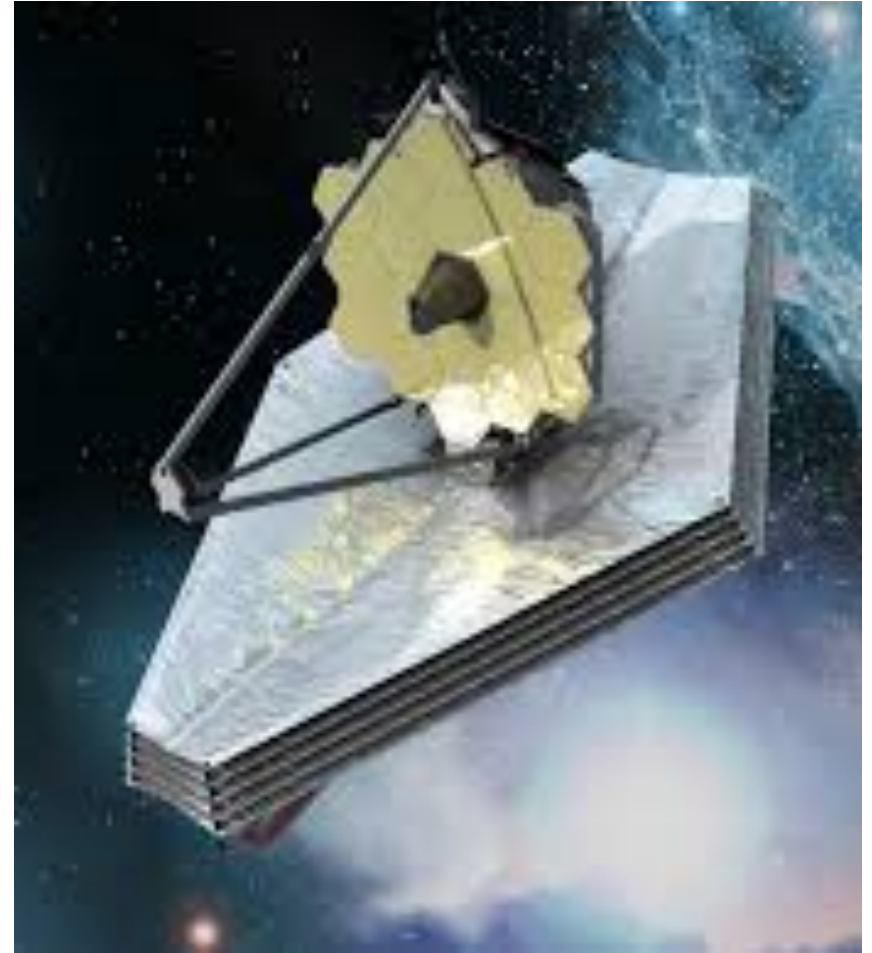
- Newton invented a reflecting telescope using a mirror.
- Early telescopes were optical in nature and collected and focused visible light to make images



1930's & 1960's



1990 & 2018



Telescopes help us answer the big questions of astronomy: “How the universe was born?”



Future...

